



**ONENESS**  
Solar Mounting Systems

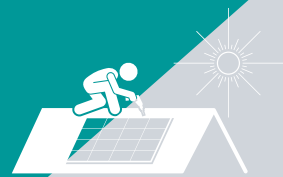
# DATA SHEET

**ONENESS MINI RAIL SYSTEM**  
*for trapezoidal sheet  
metal roofing*



*Remarkably*  
QUICK INSTALLATION

**OPVS-MRS-60**



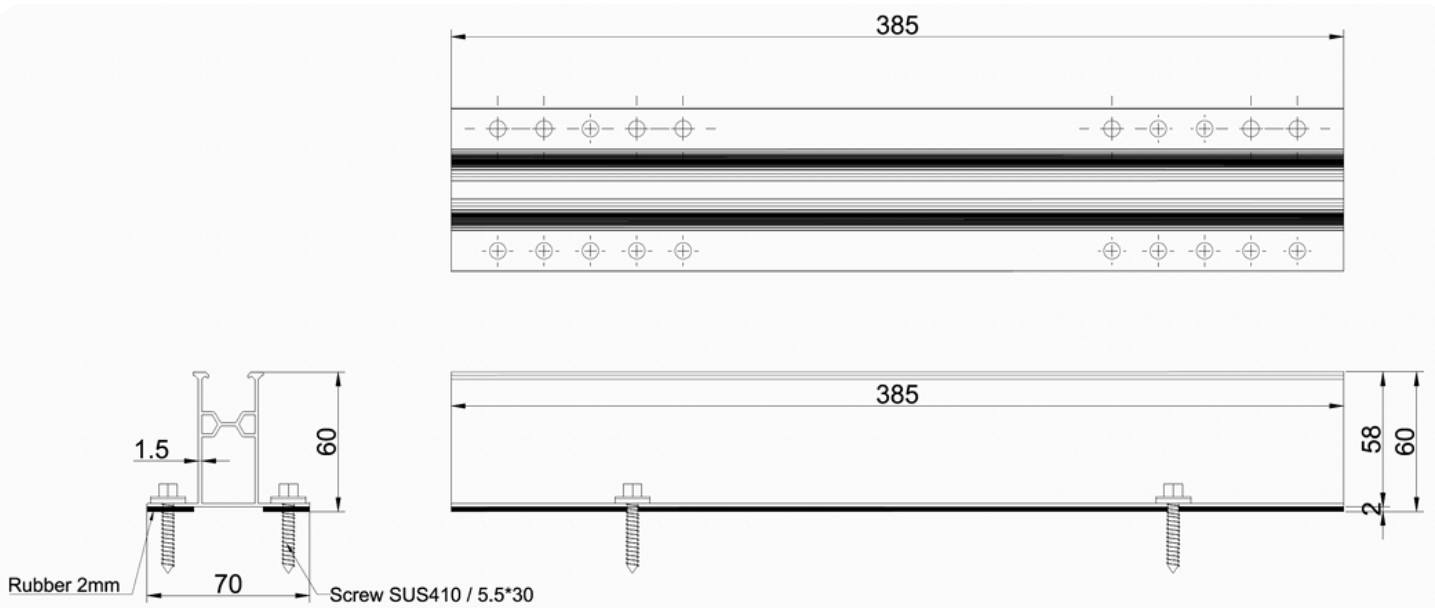
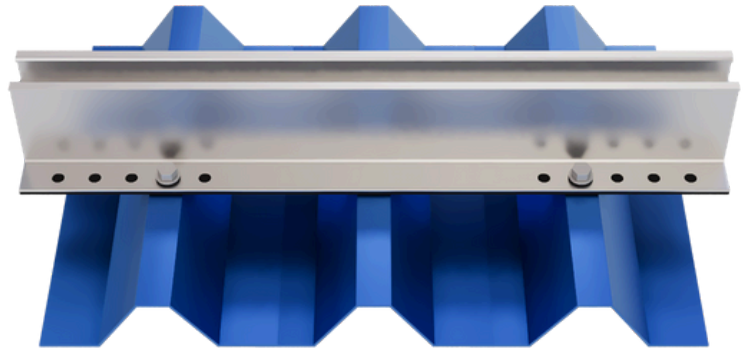
**304**  
STAINLESS STEEL

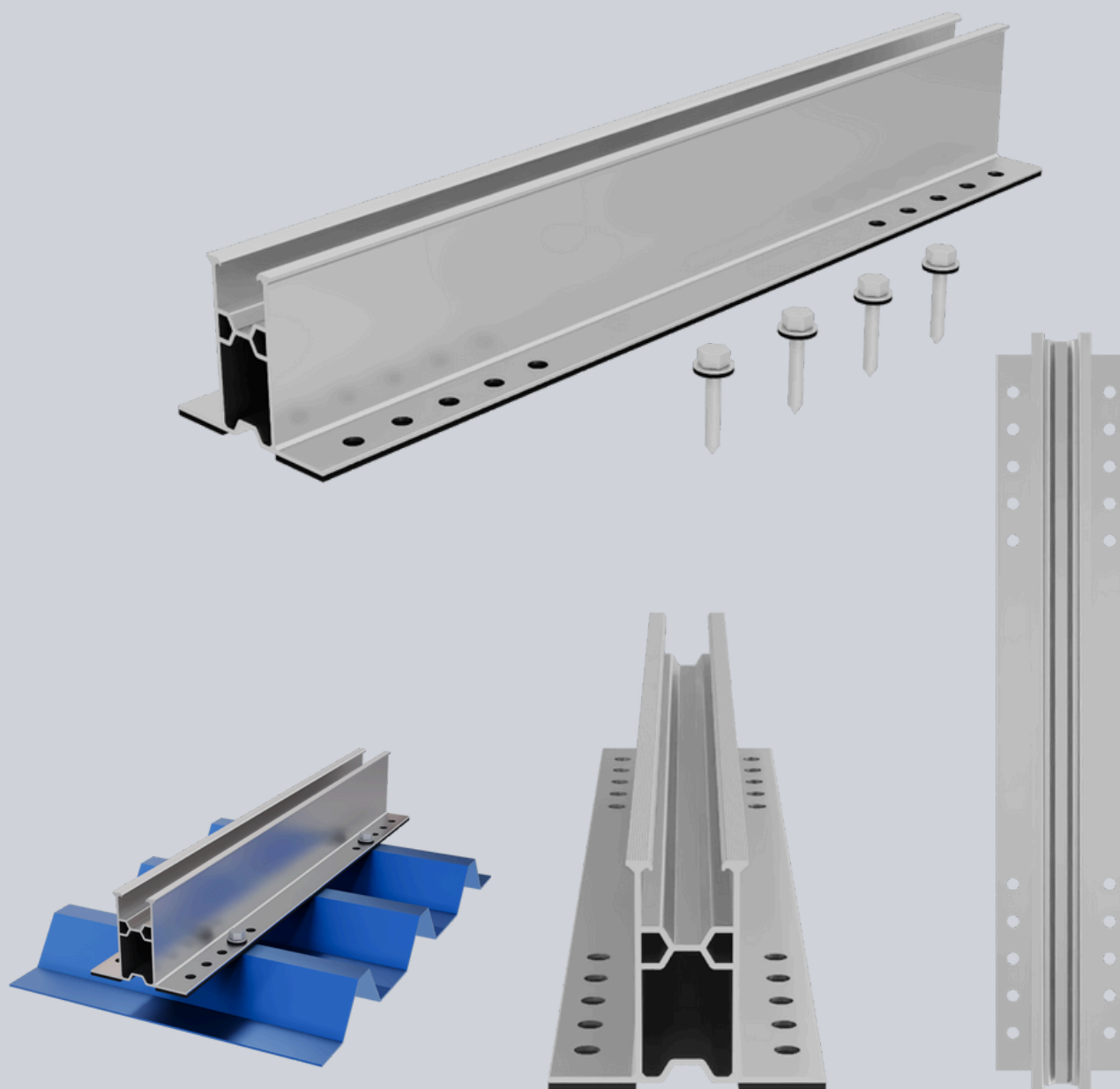
**12**  
YEARS  WARRANTY

**Product Code:**

**OPVS-MRS-60**

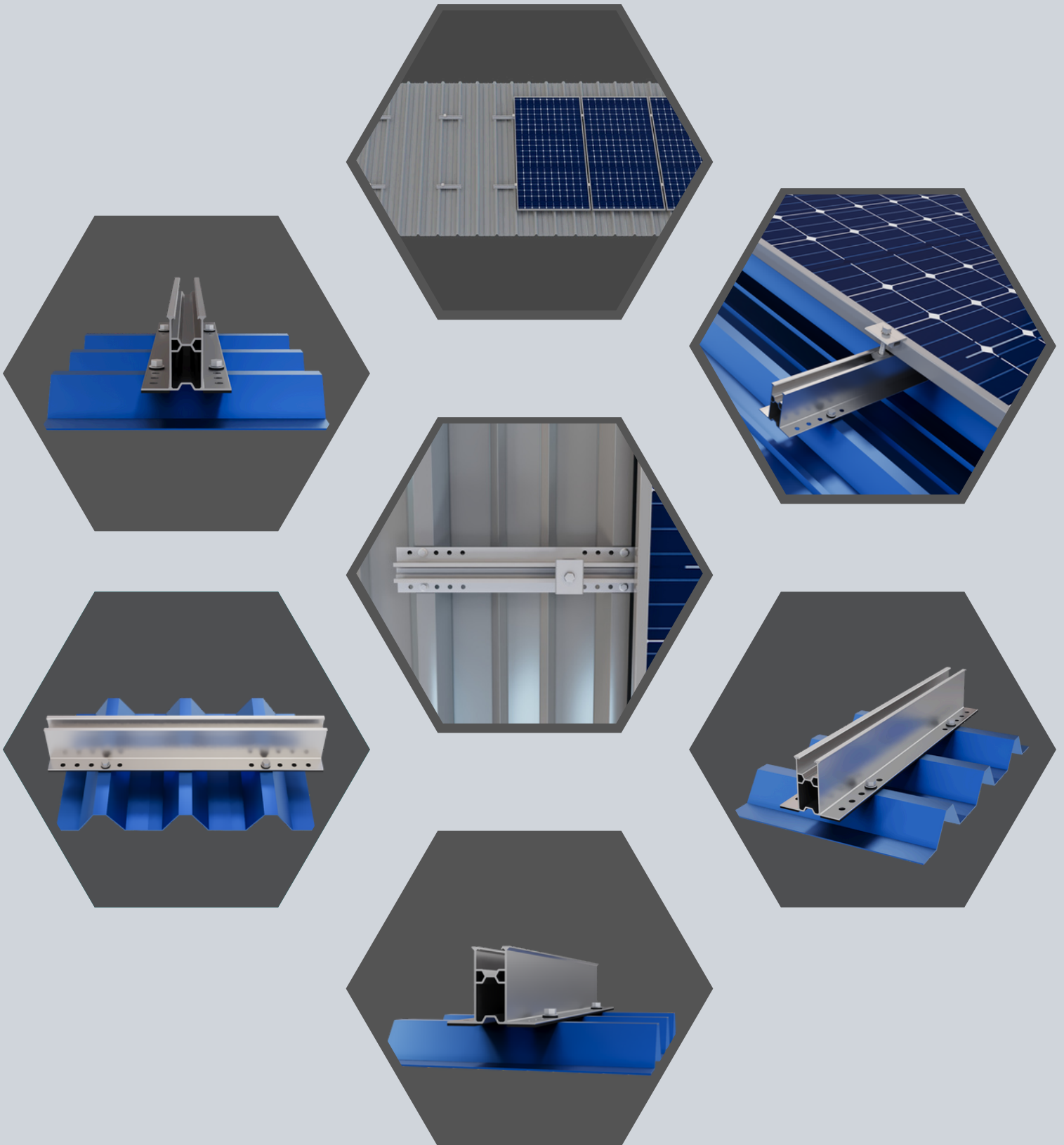
Mini rail system for PV mounting  
on trapezoidal sheet metal roofing

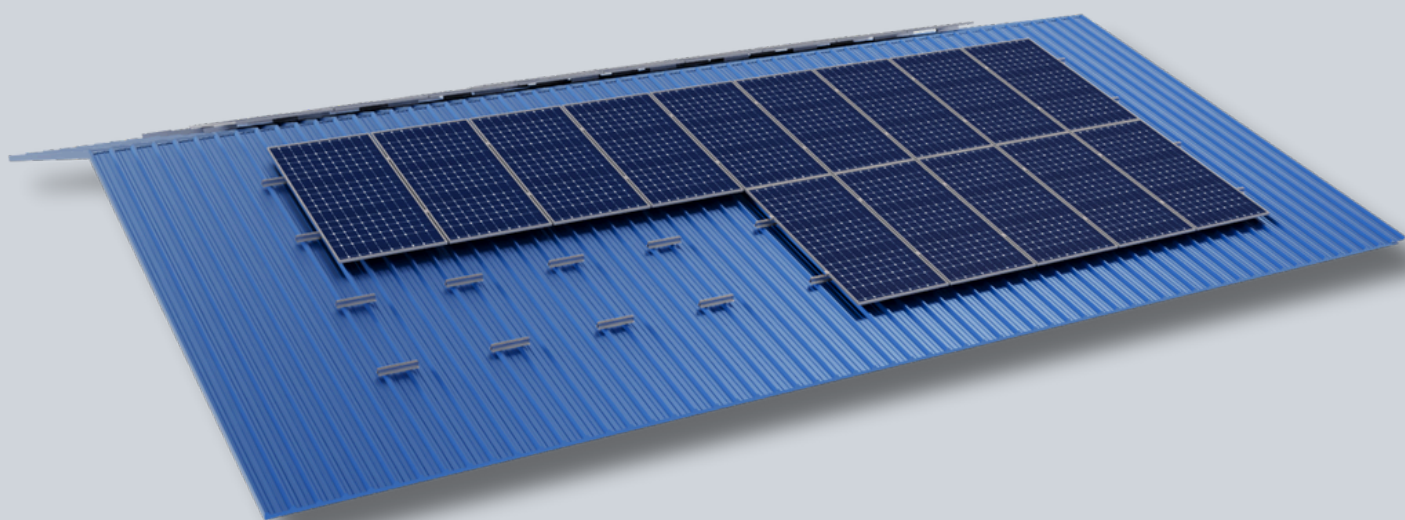
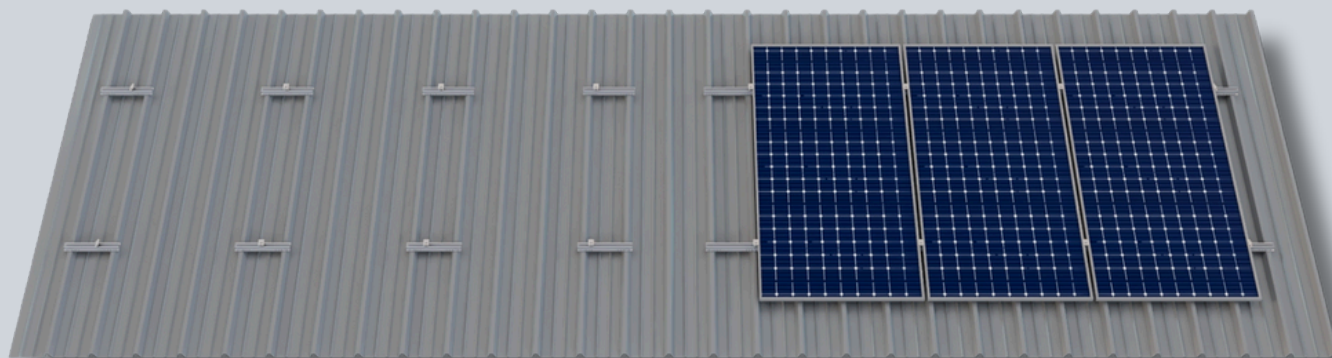




| Item                | Quantity | Material   | Specification   |
|---------------------|----------|------------|-----------------|
| Mini Rail           | 1        | AL 6005-T5 | L385mm          |
| Self Drilling Screw | 4        | SUS 410    | 5.5*30 / 5.5*40 |

- ✓ ENSURES LONGEVITY AND CORROSION RESISTANCE
- ✓ PROVIDES FLEXIBILITY IN DESIGN AND CONFIGURATION
- ✓ COMPATIBLE WITH A LARGE VARIETY OF METAL ROOFS





# Contacts



## SHANGHAI ONENESS TECH CO., LTD.

**Tel.:** 0086 186 2100 6801

**E-mail:** info@onenesspvsystems.com

**Web:** www.onenesspvsystems.com

**Add:** No. 1599, Pingzhuang West Road, Fengxian, Shanghai